

LLJZS71 Series pull switch 系列安全拉线开关

产品性能 Performance

当在机器设备或装备每处都能达到紧急断电时，便需要安全拉绳开关。由一根预张紧的拉绳可以使得急停开关被操动。

Emergency stop pull-wire switches are employed wherever an emergency stop command must be available at any point on a machine, device or plant. An emergency stop command is triggered when pulling the pretensioned tug line.

LLJZS71-1Ö/IS 含一个肯定断开式常闭触点和一个辅作的常开触点；LLJZS71-2Ö 含二个肯定断开式常闭触点。

当拉绳拉紧时，触点11-12（图2）闭合，触点23-24断开。比如LLJZS71-1Ö/IS（或VS）开关，当拉绳被拉（图1）或断裂时触点11-12断开，触点23-24接通。对带锁定结构的拉绳开关，比如LLJZS71-1Ö/IS VD（或VS），当拉绳被拉或断裂时触点11-12断开和23-24接通这一状态被锁定。开关状态解锁只需直接VD头或使用解锁钥匙即可。

The emergency stop pull-wire switch LLJZS71 1Ö/IS is equipped with a positive break Normally Closed contact and an additional Normally Open contact. The LLJZS71 2Ö switches have two positive break Normally Closed contacts.

With the wire pre-tensioned, contacts 11-12 (as per Fig.2) are closed and 23-24 are open.

Contacts 11-12 open and 23-24 close if the wire is pulled (Fig.1) or breaks (Fig.3) With emergency stop pull-wire switches with latching, e.g. LLJZS71 1Ö/IS-VD (or VS), contacts 11-12 are latched in the opened and 23-24 in the closed condition if the wire is pulled or breaks.

Unlatch by using the push button VD or the key unlatching unit VS.

LLJZS71-11 常开-常闭 1NO1NC (自动 automatic)

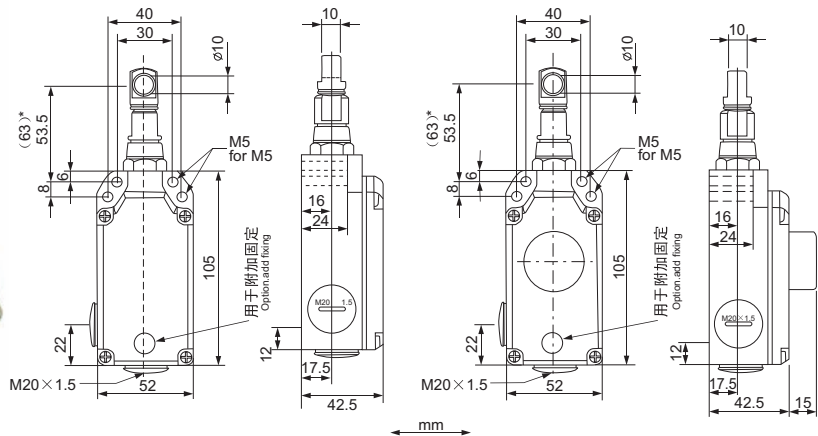
LLJZS71-02 二常闭 2NC (自动 automatic)

LLJZS71-11VD 常开-常闭 1NO1NC (手动 manually operation)

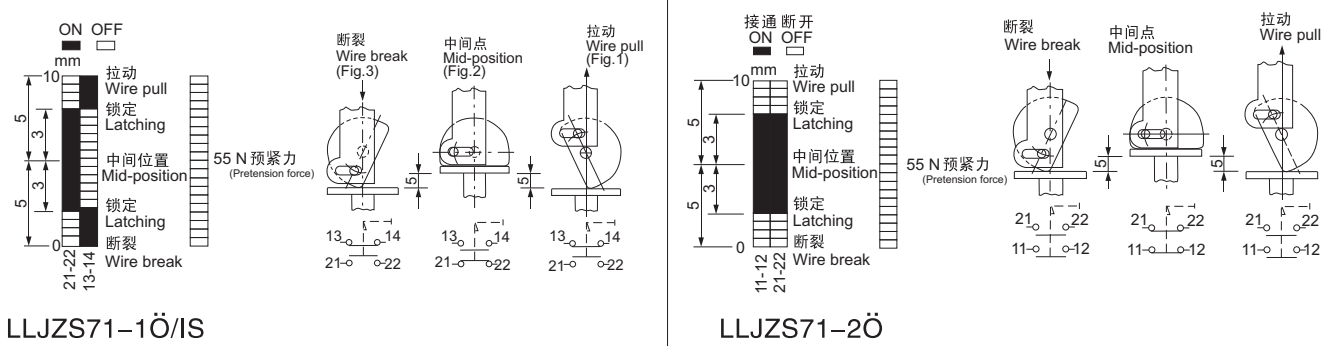
LLJZS71-02VD 二常闭 2NC (手动 manually operation)

LLJZS71-11VS 常开-常闭 1NO1NC (带钥匙手动 manually operation with key)

LLJZS71-02VS 二常闭 2NC (带钥匙手动 manually operation with key)



*=63为预张紧力的200N的型号
for design with 200N pretention force



LLJZS71-1Ö/IS

LLJZS71-2Ö

