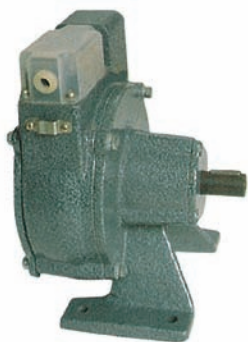


LLY1 series overspeed switch 系列超速开关

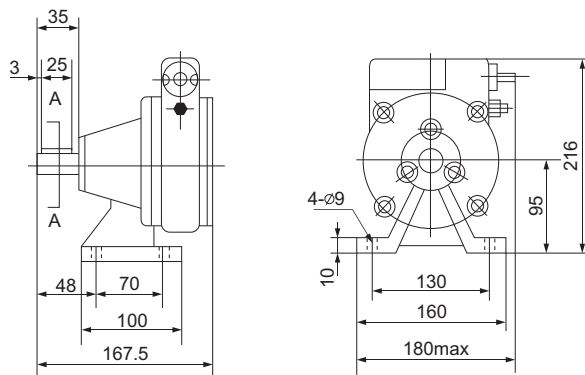
LLY1系列超速开关适用于交流50Hz.电压至380V、直流电压至220V的控制线路中，限制电动机及被控旋转机械的最高转速，达到快速分断电路，保证设备安全运转之目的。

该超速开关主要用于起重机起升机构下降超速保护电路中，也可以用于类似条件需要超速保护的场合。其性能符合GB14048.5-2001《低压开关设备和控制设备第5-1部分：控制电路和开关元件机电式控制电路电器》标准。

LLY1 series speeding applied isolator switch, voltage, dc voltage to 380V to 220V control circuit of electric motor and restriction, accused of rotating machinery, achieve the highest speed fast segmentation, ensure safety operation circuit. It is mainly used for speeding switches crane hoisting mechanism to protect circuit, drop speed can also be used for similar conditions need to protect the occasion, the speed with GB14048.5 performance – 2001 《the low-pressure equipment switch and control equipment 5-1 part: the control circuit and control circuit of electric switch components electromechanical》 standard.



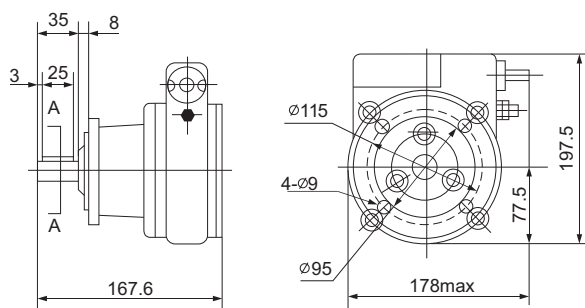
LLY1-1/□型超速开关
LLY1-1/□ overspeed switch



LLY1-1/□型超速开关外形及安装尺寸
LLY1-1/□ overspeed switch shape and mounting dimensions



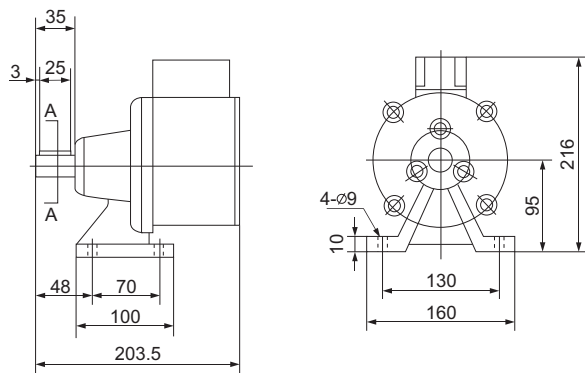
LLY1-1/□D型超速开关
LLY1-1/□D overspeed switch



LLY1-1/□D型超速开关外形及安装尺寸
LLY1-1/□D overspeed switch shape and mounting dimensions



LLY1-2/□型超速开关
LLY1-2/□ overspeed switch



LLY1-2/□型超速开关外形及安装尺寸
LLY1-2/□ overspeed switch shape and mounting dimensions