

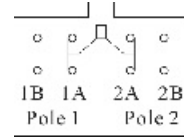
# CLASS9007-CP 2NC+2NO Micro Switch 二开二闭型微动开关

## 特性Specialty

CLASS9007-CP系列微动开关是引进法国技术开发生产的, 该产品具有体积小, 功率大, 触头数量多的多种形式, 适用于交流50~60Hz; AC380V; DC220V; 电流10A的控制电路中, 作用机床、机械的自动控制、限制运动、传动机构动作或程序控制之用。

It's used for control purpose in AC circuits of 50~60Hz, with a voltage of 380V or DC 220V, and the current of 10A. It serves as the control of mechanical movement of Mechanical tool as well as automatic program control.

## 接触形式Contact type



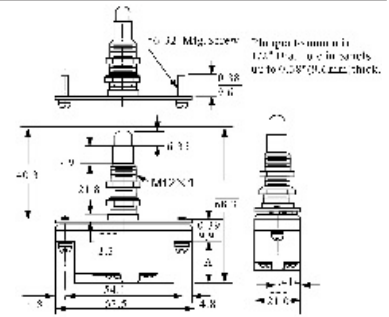
操作类型 type of operator	触头数量 contact arrangement	型号type
滚轮式、直动式 roller plunger type panel mounting oiltight	2NO 2NC	CP321 CP323 CP325
杠杆式 mushroom button type panel mounting	2NO 2NC	CP221 CP222

项目item	种类class	CP321	CP323	CP222	CP221
Pretravel		1.5~3.8	1.5~3.8	1.8~2.2	1.8~2.2
Differential		0.9~1.2	0.0~1.2	0.9~1.2	0.9~1.2
Total travel		5.1~8.6	5.1~8.6	5.8~6.8	5.8~6.8
Operating force max		0.18N.m	0.2N.m	0.05~0.08N.m	0.05~0.08N.m
Overtravel				4.1~4.8	4.1~4.8

螺丝接线式CP325 直动式



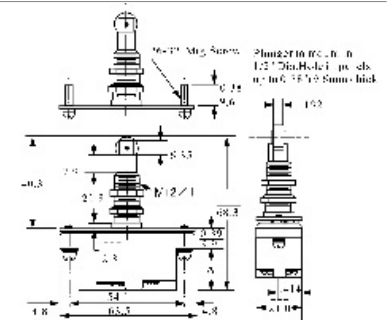
焊接接线式CP325-H



螺丝接线式CP321 十字滚轮式  
CP323 一字滚轮式



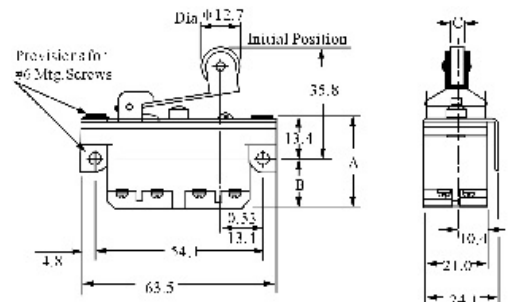
焊接接线式CP321-H 十字滚轮式  
CP323-H 一字滚轮式



螺丝接线式CP221 杠杆式



焊接接线式CP221-H



螺丝接线式CP222 双节杠杆式



焊接接线式CP222-H

