

概述 OVERVIEW



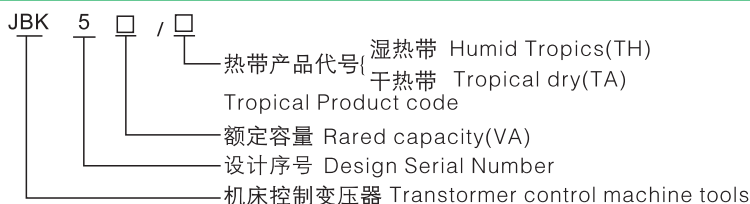
JBK5系列机床控制变压器是我公司引进德国90年代中其最新型变压器系列，在国内JBK3系列机床控制变压器基础上，经过多年来进一步吸收国外同类产品，并优选国外先进方法垢接线端子结构、将端子与骨架合在一起，使防护等级提高到IP2LX，防止偶然触及电路。采用国内IT冷压接线端子，接线方式可经使接线密集程度提高。

变压器的硅钢片与硅钢片之间联接、硅钢片与底板联接均采用氩弧焊焊接工艺，形成一个整体，间捷明了。尤其是底板一次性成型，安装尺寸较JBK3系列更为准确，而采用优质防蚀合金材料，大大提高了接地性能的可靠性，全面提高了产品质量，该产品符合 VDE0550、IEC204-1、IEC439、JB/T9446-1999、GB5226 等有关国际、国家标准，并荣获欧共体“CE”认证，美国“UL”认证。可与国外产品互换作用。

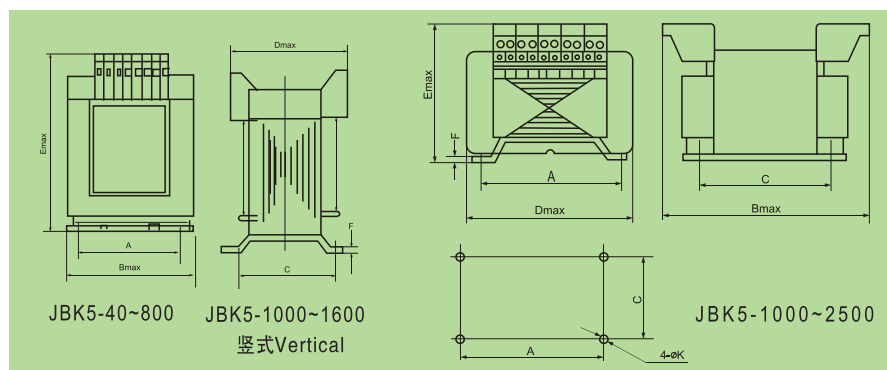


JBK5 series machine control transformer is the introduction of our company in Germany during its latest 90-series transformer in the domestic JBK3series control machine tool based on the transformer,after many years of rurther foreign similar products, and advanced optimization methods scale structure of the terminals terminal And the skeleton together,so that the level of protection to IP2LX,to prevent accidental touch circuit. The domestic use of IT Cold terminals,so that the witing connection can increase the intesity Transformer connection between solicon and silicon steel, silicon steel sheet and plate are connected using TIG welding process to form a whole, simple to understand. In particular,is a one-time floor molding,the size of the instllation of a JBK3 series more accurate, and the use of quality materials alloy corrosion,has greatly enhanced the reliability of the grounding performance,improve producr qualiry, in line with the product VDE0550,IEC204-1 ,IEC439,JB/T9646-1999,GB5226, and other relevant internaional,national standrds,and was awarded the European "CE" certification,the United States "UL" certification.With the role of foreign exchange products.

型号及其含义 MODEL AND MEANING



外形及安装尺寸 SHAPE AND INSTALLATION SIZE



型号 TYPE	外形尺寸 SHAPE SIZE			安装尺寸 INSTALLATION		安装孔 INSTALLATION HOLE	FMax	备注 NOTE
	BMax	DMax	EMax	A	C			
JBK5-40、63	78	72	90	56 ± 0.15	46 ± 0.125	4.6	1.5	
JBK5-100	85	75	96	64 ± 0.15	62 ± 0.15	4.6	1.5	
JBK5-160	96	92	105	84 ± 0.175	73.5 ± 0.15	5.5	1.5	
JBK5-250	96	100	104	84 ± 0.175	85 ± 0.175	5.8	1.5	
JBK5-400	120	100	122	90 ± 0.175	85 ± 0.175	5.8	2	
JBK5-630	150	110	140	122 ± 0.2	90 ± 0.175	7	2	
JBK5-800	150	128	142	122 ± 0.2	105 ± 0.2	7	2	
JBK5-1000	150	190	142	126 ± 0.2	155 ± 0.2	7	3	
JBK5-1000	168	125	155	105 ± 0.2	138 ± 0.2	9	2	横式 Cross
JBK5-1600	170	225	153	140 ± 0.2	176 ± 0.2	7	3	竖式 Vertical
JBK5-1600	168	138	155	116 ± 0.2	138 ± 0.2	9	2	横式 Cross
JBK5-2500	194	160	165	172 ± 0.2	195 ± 0.23	7	4	竖式 Vertical